



Commercial Water

Rheem® IKONIC® Commercial Tankless System – Wall Hung

This custom-built tankless solution arrives on the jobsite factory-assembled with single point connections, including:

- RTGH-CS11i Condensing Tankless Water Heaters
- Includes pre-installed communication wires factory programmed manifold settings
- Pre-sized water and gas manifold
- Electrical wiring
- Condensate lines

System Options

- 2-3 tankless units per system

Engineered Solution by Rheem

- Scalable from 11,000 BTU/h to 599,700 BTU/h per system (3 units max per system rack, multiple racks can be linked up to 32 total units or 6,396,800 BTU/h)
- Multiple configurations
- Options for future expansion

Installation Savings

- Reduce installation costs with single point connections

Industry Best Solutions

- Versatile solution designed for indoor and outdoor applications
- Built-in Wi-Fi allows for easy temperature and settings adjustments Minimum side to side clearances = 1/2 inch (to combustibles)
- Minimum flow rate = 0.26 GPM
- Minimum activation rate = 0.40 GPM
- UL-1738 & ULC-S636 certification on PPs venting accessories

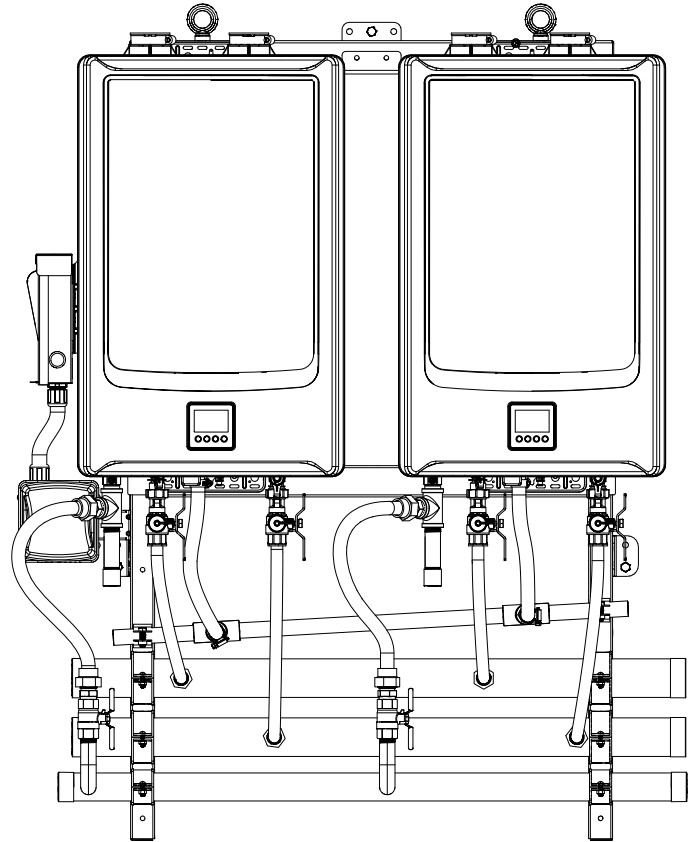
Redundancy

- Modular system allows Isolation to reduce downtime

Warranty

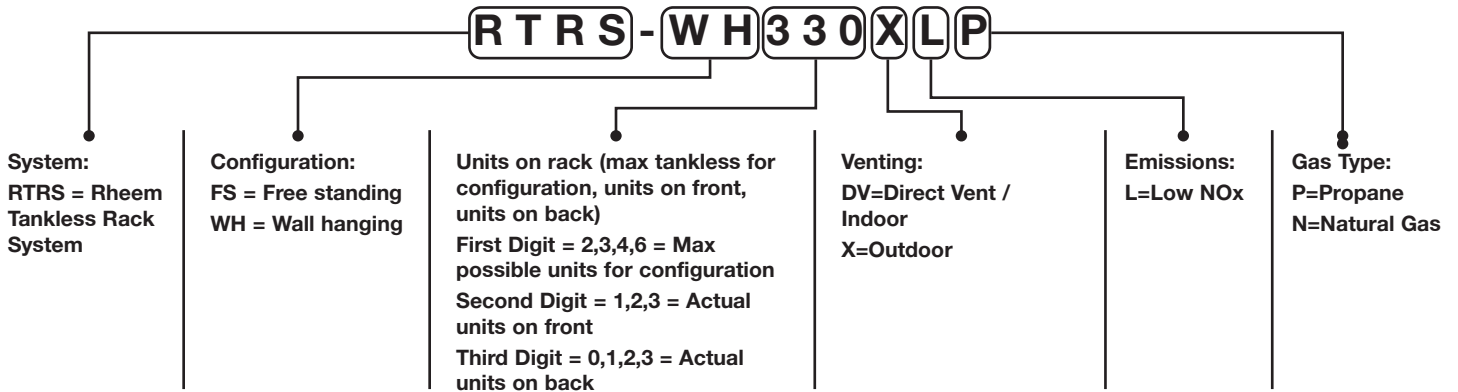
- 8-Year heat exchanger, 5-years parts, 1-year rack parts and 1-year labor*

*See Commercial Warranty Certificate for complete information




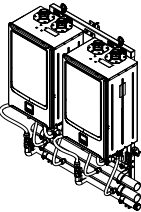

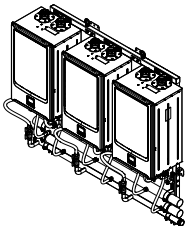
RTRS PART NUMBERS AND LAYOUTS

Commercial Tankless System Model Numbers Explained



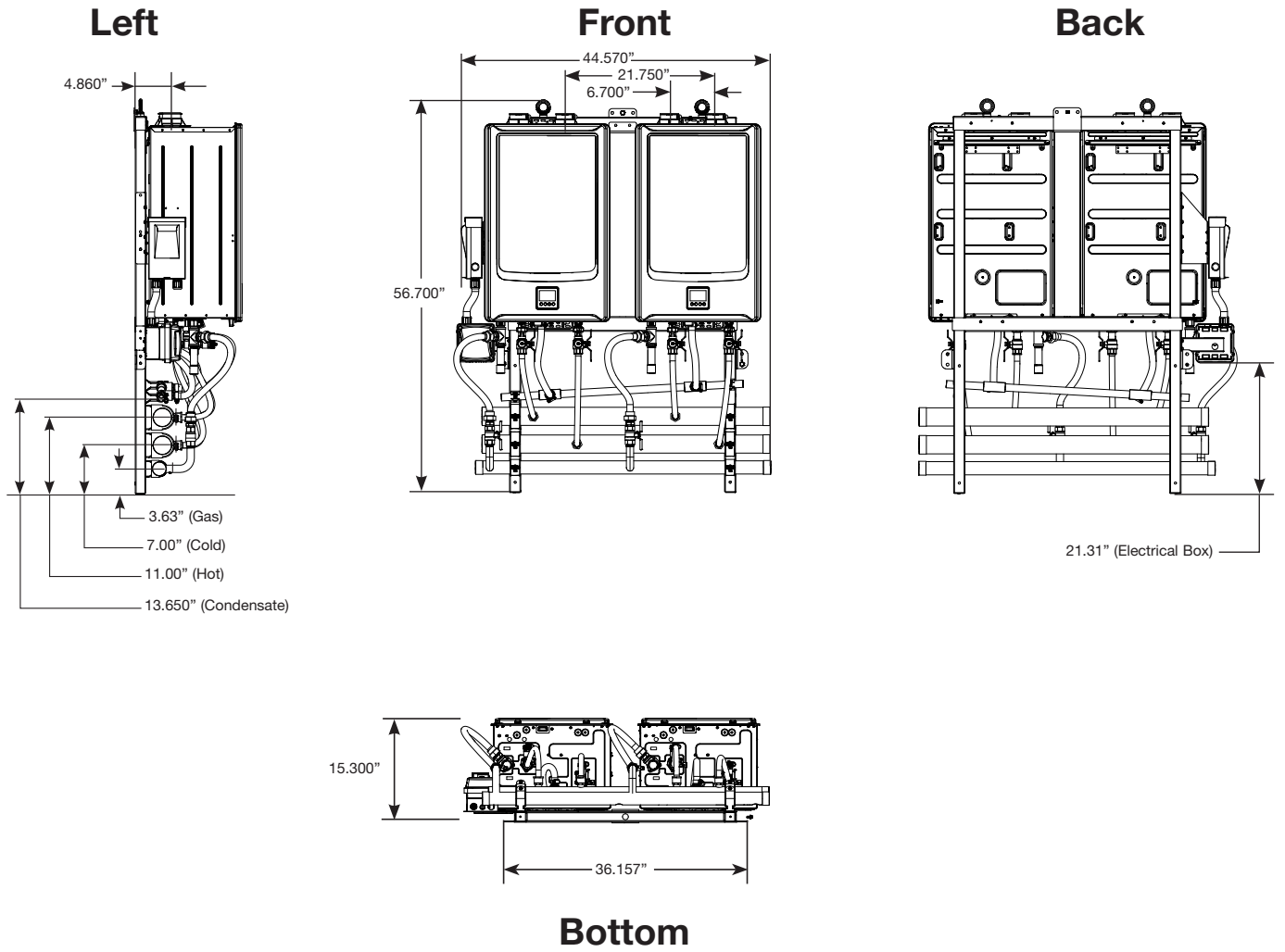
Wall Hung Tankless System


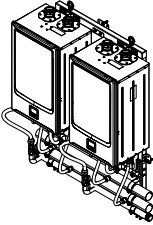
Mounts to wall and ground, must be on the ground, and against the wall.

PART NO.*	RACK TYPE	CONFIGURATION	ILLUSTRATION
RTRS-WH220DVLN	2-unit interior wall hanging rack, NG		
RTRS-WH220XLN	2-unit exterior wall hanging rack, NG		
RTRS-WH220DVLP	2-unit interior wall hanging rack, LP		
RTRS-WH220XLP	2-unit exterior wall hanging rack, LP		
RTRS-WH330DVLN	3-unit interior wall hanging rack, NG		
RTRS-WH330XLN	3-unit exterior wall hanging rack, NG		
RTRS-WH330DVLP	3-unit interior wall hanging rack, LP		
RTRS-WH330XLP	3-unit exterior wall hanging rack, LP		

2 UNIT WALL HUNG FRAME

Dimensions

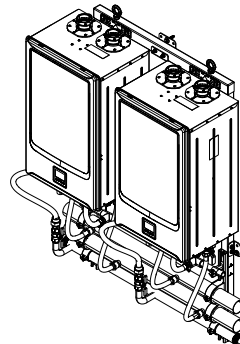


MODEL	CONFIGURATION	ILLUSTRATION
RTRS-WH220		

2 UNIT WALL HUNG FRAME

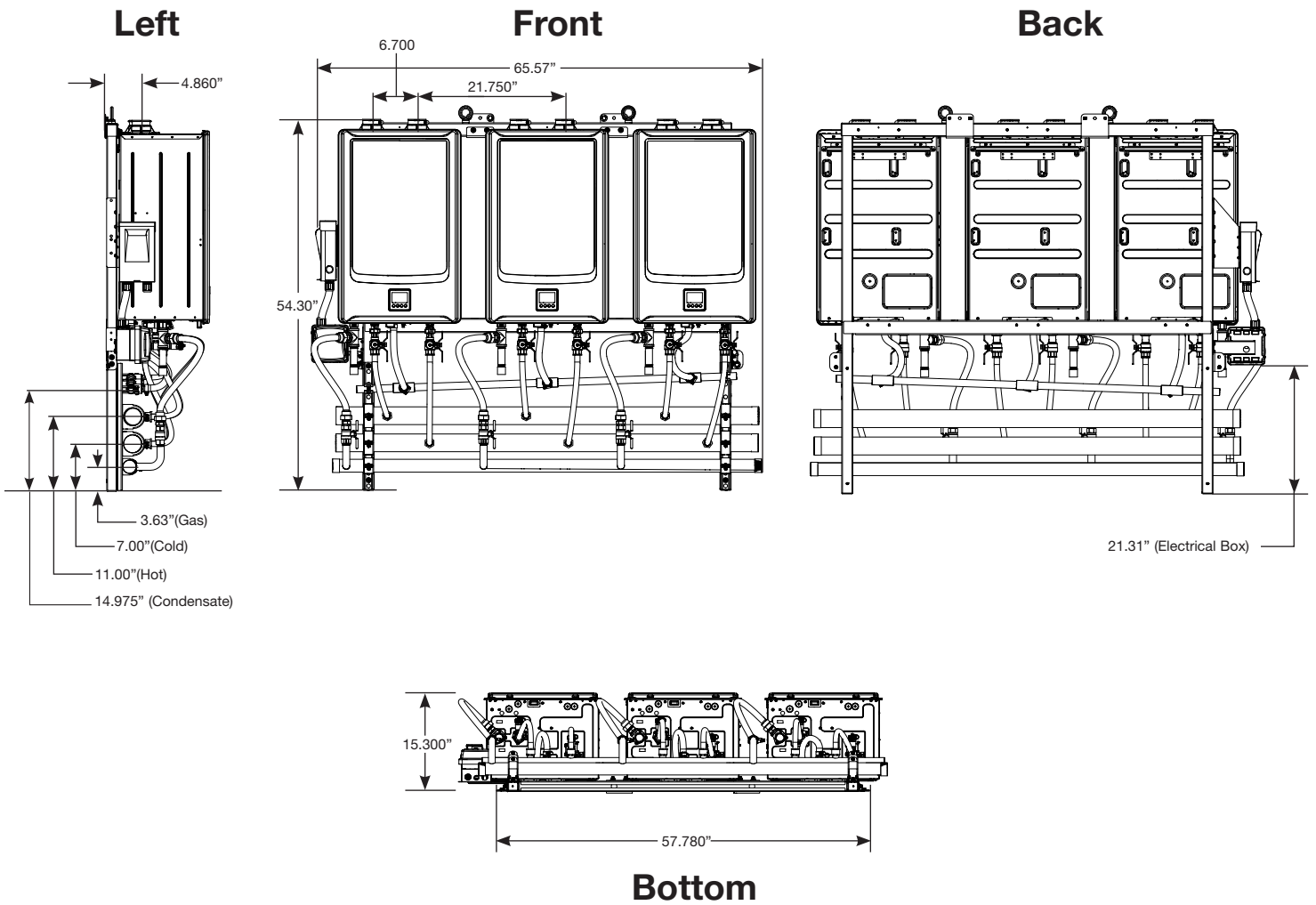
Specifications


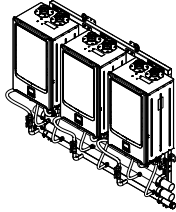
MODEL	RTRS-WH2*
Water Heater Model	RTGH-CS11i (NG/LP, Indoor/Outdoor)
Crate Dimensions (HxLxD) - in	26 X 54 X 66
Weight - Fully Assembled - lbs	250
Weight - Shipping (total) - lbs	350
Rack Frame - Specifications	
Frame Material	16 Gauge Galvanized Steel
Frame Finish	Powder Coat
Color	Gray
Water, Gas and Condensate Connections	
Hot Water Trunk Line Diameter	2 - 1/2"
Cold Water Trunk Line Diameter	2 - 1/2"
Hot Water Trunk Line Material	Rigid Copper
Cold Water Trunk Line Material	Rigid Copper
Water Trunk Connection Type	2 - 1/2" PIPE
Gas Trunk Line Diameter	1-1/2"
Gas Trunk Connection Type	1-1/2" MNPT
Gas Trunk Line Material	Sch 40 Steel
Gas Branch Line Material	Sch 40 Steel
Condensate Trunk Line Diameter	3/4"
Condensate Trunk Line Material	Sch-40 PVC
Condensate Trunk Connection Type	3/4" Pipe
Electrical	
Voltage	120V AC / 60Hz
Maximum Current (Amperes)	4
BTU and Flow Rates	
Number of Tankless Water Heaters	2
Flow rate @ 70°F rise (gpm)	11.1
Flow rate @ 100° F rise (gpm)	7.7
Minimum input rate (Btuh)	11,000
Maximum input rate (Btuh)	399,800



3 UNIT WALL HUNG FRAME

Dimensions

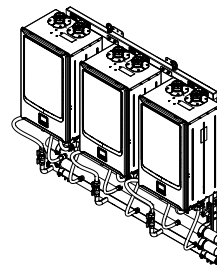


MODEL	CONFIGURATION	ILLUSTRATION
RTRS-WH330		

3 UNIT WALL HUNG FRAME

Specifications

MODEL	RTW-WH3*
Water Heater Model	RTGH-CS11i (Indoor NG/LP, Indoor/Outdoor)
Crate Dimensions (HxLxD) - in	26 X 74 X 66
Weight - Fully Assembled - lbs	355
Weight - Shipping (total) - lbs	475
Rack Frame - Specifications	
Frame Material	16 Gauge Galvanized Steel
Frame Finish	Powder Coat
Color	Gray
Water, Gas and Condensate Connections	
Hot Water Trunk Line Diameter	2 - 1/2"
Cold Water Trunk Line Diameter	2 - 1/2"
Hot Water Trunk Line Material	Rigid Copper
Cold Water Trunk Line Material	Rigid Copper
Water Trunk Connection Type	2 - 1/2" PIPE
Gas Trunk Line Diameter	1-1/2"
Gas Trunk Connection Type	1-1/2" MNPT
Gas Trunk Line Material	Sch 40 Steel
Gas Branch Line Material	Sch 40 Steel
Condensate Trunk Line Diameter	3/4"
Condensate Trunk Line Material	Sch-40 PVC
Condensate Trunk Connection Type	3/4" Pipe
Electrical	
Voltage	120V AC / 60Hz
Maximum Current (Amperes)	6
BTU and Flow Rates	
Number of Tankless Water Heaters	3
Flow rate @ 70°F rise (gpm)	16.6
Flow rate @ 100° F rise (gpm)	11.6
Minimum input rate (Btuh)	11,000
Maximum input rate (Btuh)	599,700



In keeping with its policy of continuous progress and product improvement, Rheem reserves the right to make changes without notice.

Rheem Water Heating • 1115 Northmeadow Parkway, Suite 100
Roswell, Georgia 30076 • www.Rheem.com

Rheem Canada Ltd./Ltée • 125 Edgeware Road, Unit 1
Brampton, Ontario L6Y 0P5 • www.Rheem.ca