

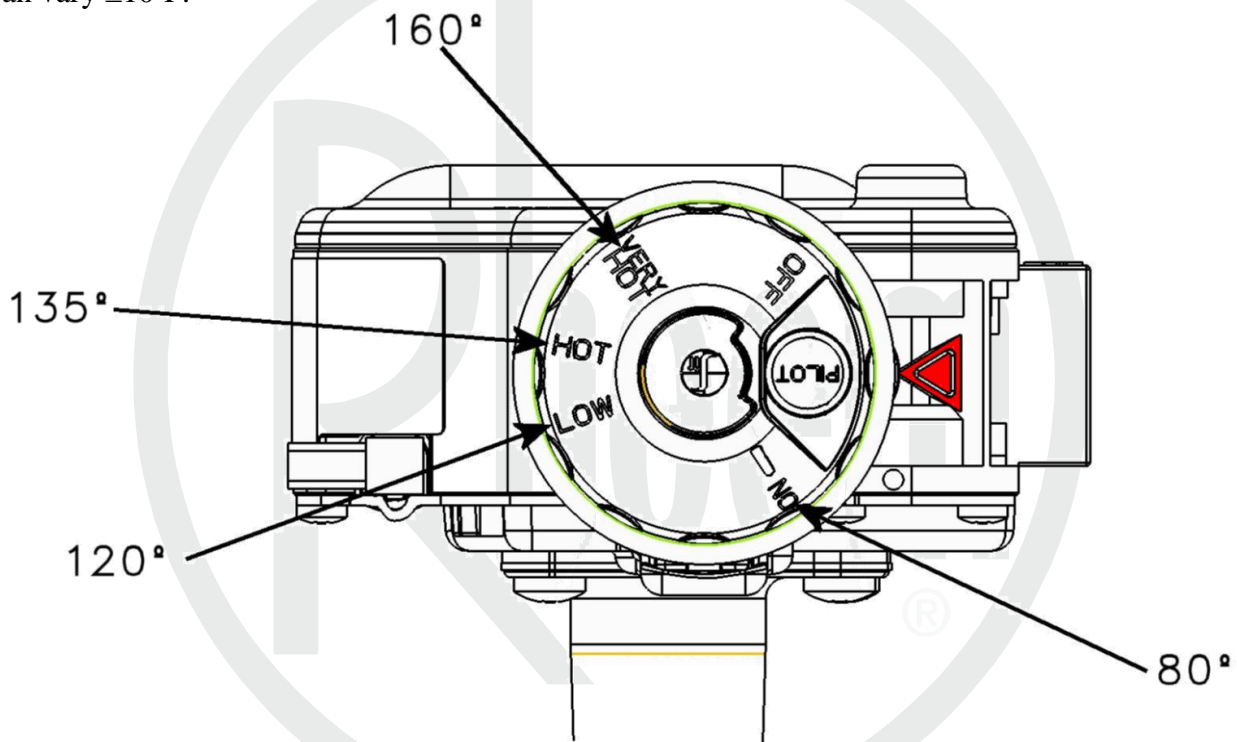


SIT (Delta) Valve Temperature Settings

The temperature of the water in the heater can be regulated by setting the temperature dial on the top of the gas control (thermostat).

The illustration below details the **approximate** water temperature for each mark on the Gas Control (thermostat) Temperature Dial. Each detent position between 120° F and 160° F marks indicate 5° F.

The temperature dial can be set between 80° and 120° marks. **Note:** Each temperature selection can vary $\pm 10^\circ\text{F}$.



Time/Temperature Relationship in Scalds

Water Temperature	Time To Produce a Serious Burn
120°F	More than 5 minutes
125°F	1½ to 2 minutes
130°F	About 30 seconds
135°F	About 10 seconds
140°F	Less than 5 seconds
145°F	Less than 3 seconds
150°F	About 1½ seconds
155°F	About 1 second

Table courtesy of Shriners Burn Institute